

## Horizontal acting toggle clamps

Steel / Stainless Steel, with horizontal mounting base

### SPECIFICATION

#### Types

- Type **M**: U-bar version, with two flanged washers
- Type **MC**: U-bar version, with two flanged washers and GN 708.1 spindle assembly (see page 1625)
- Type **O**: Solid bar version, with clasp

#### Version in Steel

- Case-hardened Steel C10, zinc plated, blue passivated
- Bearing pins tempered
- Bearing rivets (for size 355 and up), case-hardened

All moving parts

lubricated with special grease

Hand grip

High quality, oil resistant red plastic

Spindle assembly GN 708.1, Type A (see page 1625)

- Steel, zinc plated
- Rubber tip 85 Shore A

#### Version in Stainless Steel NI

Stainless Steel AISI 304

All moving parts

lubricated with special grease

Hand grip

High quality, oil resistant red plastic

Spindle assembly GN 708.1, Type A (see page 1625)

- Stainless Steel AISI 304
- Rubber tip 85 Shore A

### TECHNICAL INFORMATION

- Stainless Steel characteristics (see page A26)

### ACCESSORY

- Spindle assemblies (see page 1623)
- GN 809 clamp mounts for toggle clamps (for Type O) (see page 1630)
- GN 801 clamp mounts for toggle clamps (for Type M) (see page 1629)



### INFORMATION

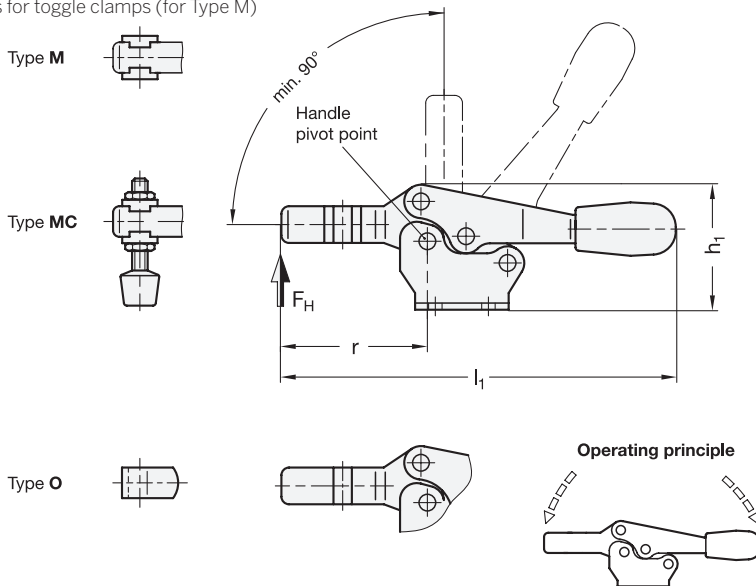
GN 820 horizontal acting toggle clamps work according to the toggle principle: lever and clamping bar move in the opposite direction.

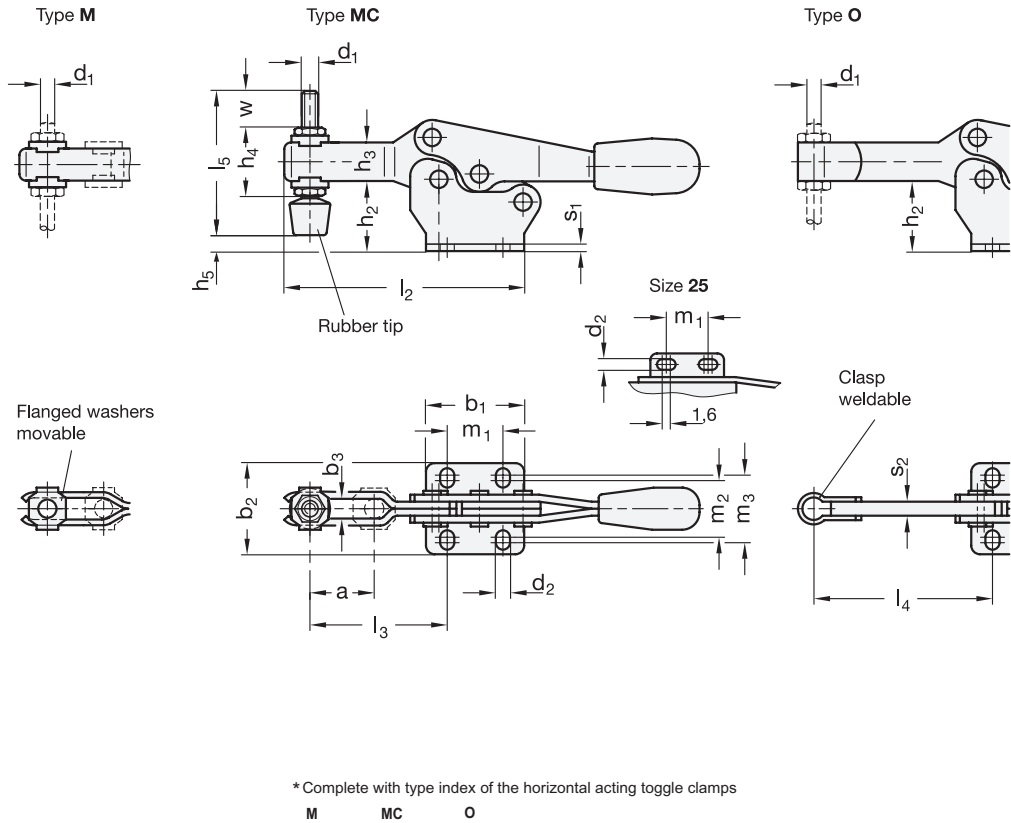
They require less space for the clamping action. In the clamped position the operating lever is in its horizontal position.

Horizontal acting toggle clamps in the U-bar version with two flanged washers (Type M) can accommodate an application specific clamping screw. A spindle assembly with neoprene rubber tip is also included for Type MC.

Type O version can either be utilized by welding the clasp which can then accommodate an application specific hold-down fastener component, or by utilizing the bar in conjunction with the GN 809 (see page 1630) clamp mounts to hold the work piece in place.

- General information for toggle clamps (see page 1560)





GN 820

Description	Size	FH	in N	a ≈	b1	b2	b3	d1	d2	h1 ≈	h2	h3	h4	h5 max.	l1 ≈	l2 ≈	l3 ≈	l4 max.	l5	m1	m2	m3	r	s1	s2	w	⚖
GN 820-25-*	25**	400	10	24	24.5	4.3	M 4	4.3	23	12	7	13.5	-	69	43	20	-	-	15	16	16	24.5	1.2	-	-	25	
GN 820-75-*	75	900	20	28	26	5.5	M 5	4.5	37	20	11	19	5	118	67	40	49.5	45	13.5	16	19	43	2	4	15	85	
GN 820-130-*	130	1000	32	36	40	6.5	M 6	5.5	51	30.5	16	25.5	14	168	92	53	64	55	26	22.4	28.4	62	2.5	5	17.5	203	
GN 820-230-*	230	1700	37	44	42	8.5	M 8	6.5	61.5	36.5	18	30	12.5	196	110	63.5	78	68	26	26	31.5	72	3	6	20	329	
GN 820-355-*	355	1800	58	60	56	10.4	M 10	8.5	83	50	22	37	23.5	270	161	96	115	77	41	38.8	43	108.5	3.5	7	19	700	
GN 820-455-*	455	3200	65	70	65	12.4	M 12	8.5	98.5	60	26	43	27.5	309	186	116	135	100	41.5	40	43	126	4	10	33	1200	

GN 820-NI

STAINLESS STEEL

Description	Size	FH	in N	a ≈	b1	b2	b3	d1	d2	h1 ≈	h2	h3	h4	h5 max.	l1 ≈	l2 ≈	l3 ≈	l4 max.	l5	m1	m2	m3	r	s1	s2	w	⚖
GN 820-25-*-NI	25**	400	10	24	24.5	4.3	M 4	4.3	23	12	7	13.5	-	69	43	20	-	-	15	16	16	24.5	1.2	-	-	20	
GN 820-75-*-NI	75	900	20	28	26	5.5	M 5	4.5	37	20	11	19	5	118	67	40	49.5	45	13.5	16	19	43	2	4	15	80	
GN 820-130-*-NI	130	1000	32	36	40	6.5	M 6	5.5	51	30.5	16	25.5	14	168	92	53	64	55	26	22.4	28.4	62	2.5	5	17.5	202	
GN 820-230-*-NI	230	1700	37	44	42	8.5	M 8	6.5	61.5	36.5	18	30	12.5	196	110	63.5	78	68	26	26	31.5	72	3	6	20	330	

\*\* Size 25 only available as type M

Weight type M

